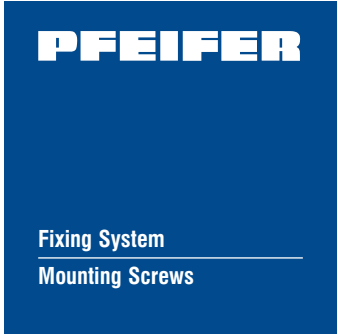


# PFEIFER Mounting Screws with Dywidag Thread

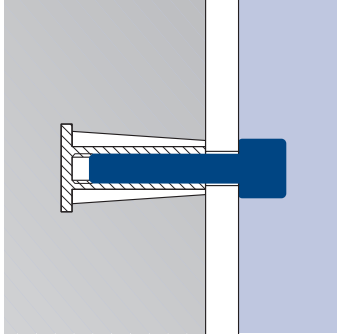
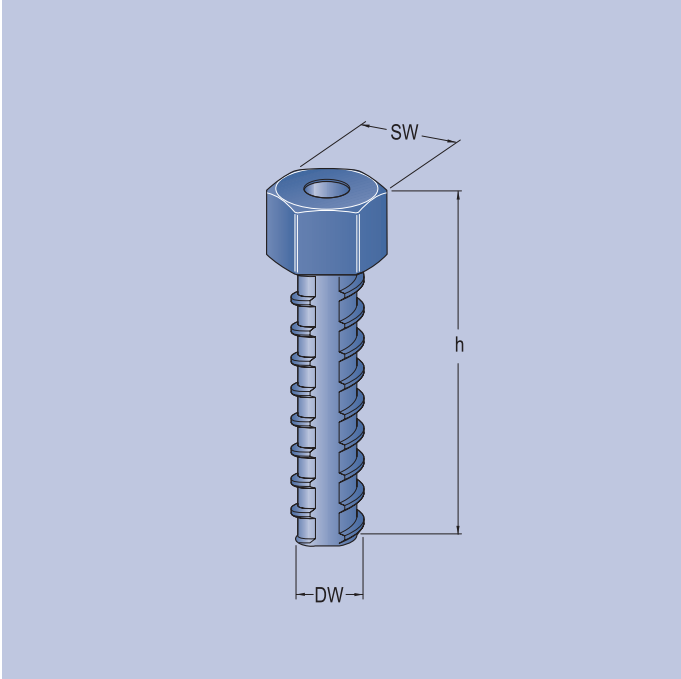
Item-No. 05.179

**Warning:**  
Only for fixing Mounting Bushings to the formwork – cannot be used to transfer loads!



With the aid of PFEIFER Mounting Screws, PFEIFER Mounting Bushings can be fixed safely and quickly to the right dimensions and the right angle in any shuttering. Expertly achieved installation guarantees good operational safety for the PFEIFER items and makes a tremendous contribution towards rationalising production.

Material:  
Reinforcement steel,  
nut welded on



Ref. No.	Dywidag Thread	Dimension mm			Weight kg piece
	DW	h	SW		
05.179.122	12,5	105	27	0,17	
05.179.152	15,0	125	30	0,20	

Sample order  
50 PFEIFER Mounting Screws for Mounting Bushings with Dywidag Thread, 12,5 mm:  
50 PFEIFER Mounting Screws ref. no. 05.179.122