

# PFEIFER Mounting Bar and Mounting Wing Nut with Dywidag Thread

Item-No. 05.178  
Item-No. 05.177

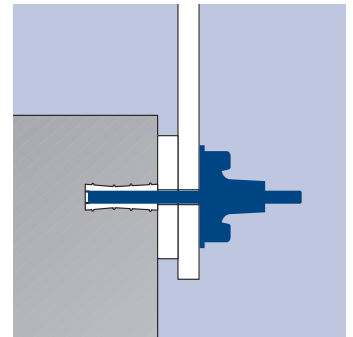
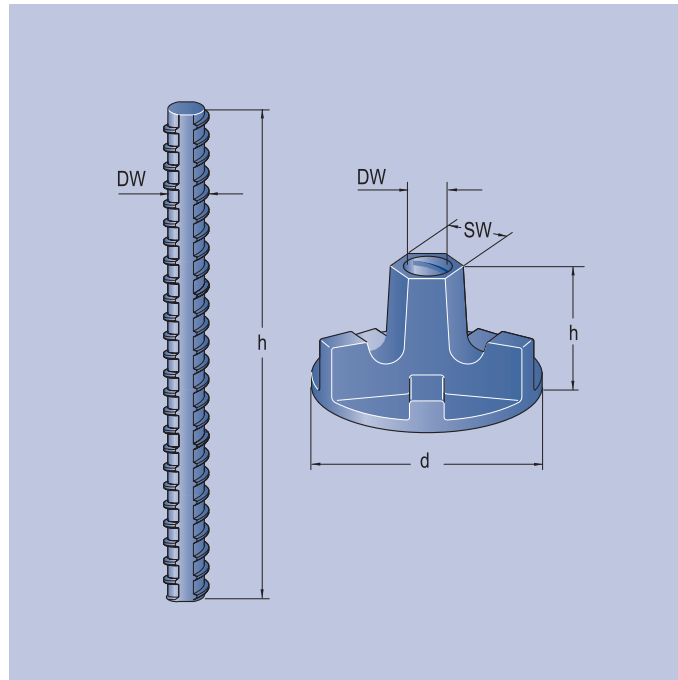


**PFEIFER**

Fixing System  
Mounting Bar

The PFEIFER Mounting Bar is used, together with the PFEIFER Mounting Wing Nut, to fix squared timber beams, banisters, support props etc. to the Mounting Bushing. The Mounting Bar is screwed into the Mounting Bushing. Elements of varying thicknesses can be fixed together firmly with the aid of the Wing Nut. The full admissible load of the corresponding Mounting Bushing can be transferred.

Material:  
Reinforcement steel,  
wing nut: cast steel



Ref. No.	Type	Dywidag Thread	Dimensions mm			Weight kg pieces
		DW	h	d	SW	
05.178.122.250	Mounting Bar	12,5	250	–	–	0,22
05.178.152.250	Mounting Bar	15,0	250	–	–	0,34
05.177.123	Wing Nut	12,5	50	70	24	0,40
05.177.153	Wing Nut	15,0	56	99	27	0,50

Sample order:  
50 PFEIFER Mounting Bars with Dywidag Thread, 15,0 mm:  
50 PFEIFER Mounting Bars ref. no. 05.178.152.250