

PFEIFER Socket Dowel with angular end

Item-No. 05.256

We recommend Socket Dowels only for fixings, for which a general technical approval is not necessary.



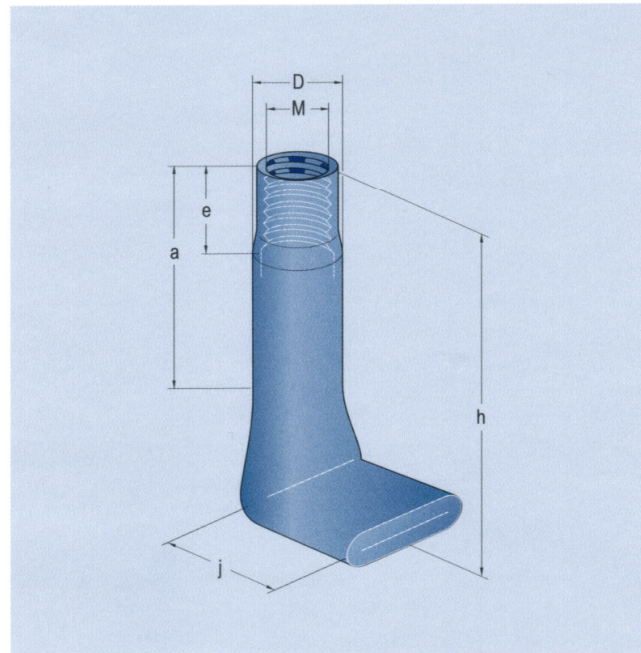
PFEIFER

Fixing System
Socket Dowels

PFEIFER Socket Dowels with right angle, transfer forces into the concrete directly without requiring special reinforcement bars.

Material:

M 6 – M 12
DIN 2394, St 34-2 NBK
M 16 – M 24
DIN 1626, St 33/37-2



Minimal tolerances from the dimension specifications are possible. They will not influence the load capacity.

Ref. No. plain	Ref. No. zinc-plated	Load capacity kg	Size d	Dimensions mm				Packing unit pieces	Weight approx. kg/100 pieces
				a	h	e	j		
-	05.256.083.050	300	M 8	30	50	8	20	500	1,80
-	05.256.103.060	600	M 10	35	60	10	25	400	3,80
-	05.256.123.045	400	M 12	18	45	12	25	200	4,80
-	05.256.123.070	800	M 12	40	70	12	30	200	7,10
05.256.162.060	05.256.163.060	800	M 16	24	60	16	30	100	11,70
05.256.162.100	05.256.163.100	1300	M 16	32	100	16	35	100	18,90
05.256.202.070	05.256.203.070	1200	M 20	30	70	20	30	100	17,90
05.256.202.100	05.256.203.100	1600	M 20	40	100	20	35	50	23,20
05.256.242.080	05.256.243.080	1600	M 24	40	80	24	35	50	32,40

Sample order:

200 PFEIFER Socket Dowels with angular end, plain, M 16 x 60 mm:
200 PFEIFER Socket Dowels ref. no. 05.256.162.060