

# PFEIFER Angled Loops for hollow core slabs

Item-No. 05.023

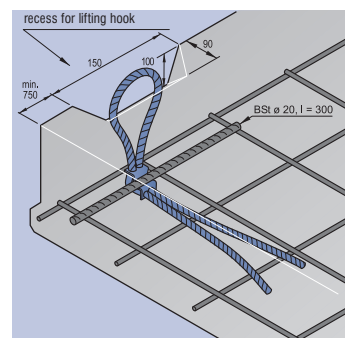
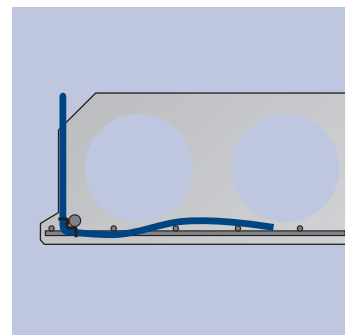
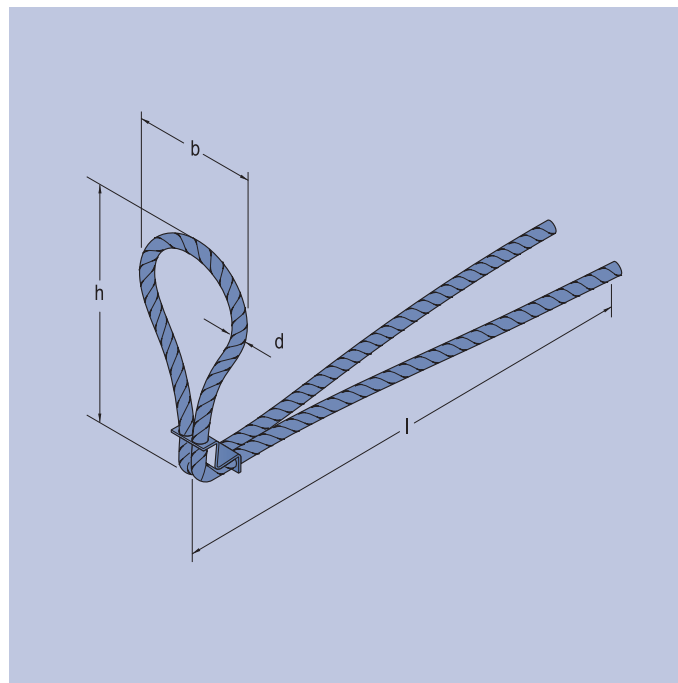


**PFEIFER**

Lifting Anchors

PFEIFER Angled Loops are lifting anchors for concrete slabs and similar floor elements. A rebar (diameter 20 mm, length  $l = 30$  cm) is positioned in the corner of the angle. This guarantees a safe distribution of the loads. At the top sight of the slab a recess has to be formed to attach the lifting hook.

Material:  
Steel wire rope  
galvanized fixing clip, black



Ref. No. plain	Ref. No. zinc-plated	MWL t	adm. F kN	Dimensions m				Weight about kg/100 pieces
				b	d	l	h	
05.023.082.120	05.023.083.120	1,6	16	70	8	300	120	30,0
05.023.102.200	05.023.103.200	2,5	25	90	10	360	200	51,7
05.023.122.235	05.023.123.235	4,0	40	105	12	380	235	72,4
05.023.142.235	05.023.143.235	5,2	52	105	14	490	235	115,3

Sample order for 100 PFEIFER Angled Loops with steel wire rope and a MWL of 2,5 t:  
100 PFEIFER Angled Loops, ref. no. 05.023.103.200

MWL: Maximum working load