



Order full packing units:

- Speeds up all logistic processes tremendously, reduces required packing time and clearly leads to shorter delivery times.

PFEIFER Fixing Bolt

Item-No. 05.211



PFEIFER

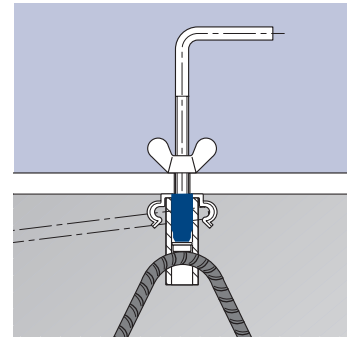
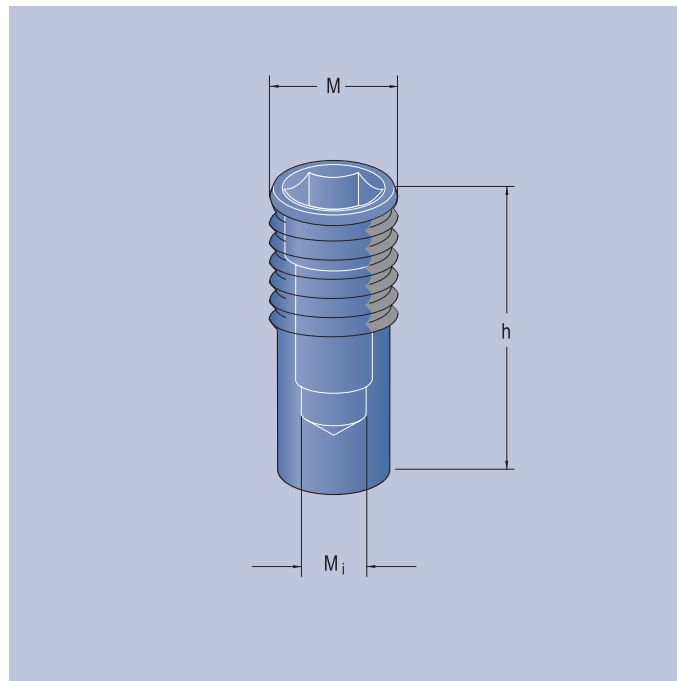
Thread System

Accessories

If the PFEIFER Lifting Anchor is required to be at the same level as the surface of the concrete, PFEIFER Fixing Bolts should be installed. The metric external thread fits to all available Thread Anchors and guarantees safe fixation at the formwork. To fix the bolt to the formwork, only a small drilled hole for the fixing screw is necessary. By installing PFEIFER Lifting Anchors with the fixing bolt, fast and strong fixing with the formwork is

guaranteed. For fixing of PFEIFER Sockets the Fixing Bolt is very important to press the internal plastic cap on the reinforcement bar passed through the cross hole.

Material:
Steel,
zinc-plated



| Ref. No. zinc-plated | Size M | for Anchor Size | Dimensions mm h | Dimensions mm | | Weight approx. kg/100 Pieces |
|-------------------------|-------------|--------------------|--------------------|----------------|----|---------------------------------|
| | | | | M _i | SW | |
| 05.211.123 | M 12 x 1,75 | Rd 12 | 20,0 | M 6 | 6 | 0,8 |
| 05.211.143 | M 14 x 2,0 | Rd 14 | 23,5 | M 8 | 8 | 1,0 |
| 05.211.163 | M 16 x 2,0 | Rd 16 | 26,0 | M 8 | 10 | 2,0 |
| 05.211.183 | M 18 x 2,5 | Rd 18 | 32,0 | M 8 | 10 | 3,0 |
| 05.211.203 | M 20 x 2,5 | Rd 20 | 32,5 | M 8 | 10 | 4,0 |
| 05.211.243 | M 24 x 3,0 | Rd 24 | 40,5 | M 10 | 14 | 7,0 |
| 05.211.303 | M 30 x 3,5 | Rd 30 | 56,0 | M 10 | 14 | 15,0 |
| 05.211.363 | M 36 x 4,0 | Rd 36 | 67,0 | M 10 | 14 | 32,0 |
| 05.211.423 | M 42 x 4,5 | Rd 42 | 80,0 | M 16 | 17 | 47,0 |
| 05.211.523 | M 52 x 5,0 | Rd 52 | 103,0 | M 16 | 17 | 115,0 |
| 05.211.563 | M 56 x 5,5 | Rd 56 | 80,0 | M 16 | 17 | 105,0 |
| 05.211.603 | M 60 x 5,5 | Rd 60 | 85,0 | M 16 | 17 | 125,0 |

Sample order:
50 PFEIFER Fixing Bolts, size M 16 x 2.00 for Rd 16:
50 PFEIFER Fixing Bolts ref. no. 05.211.163